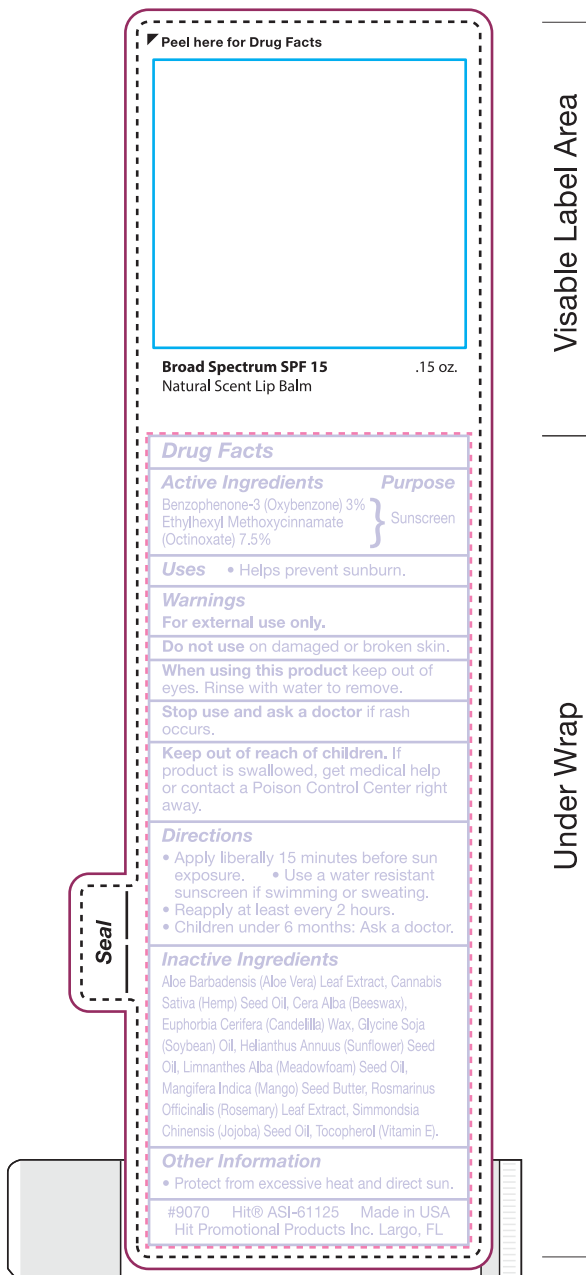


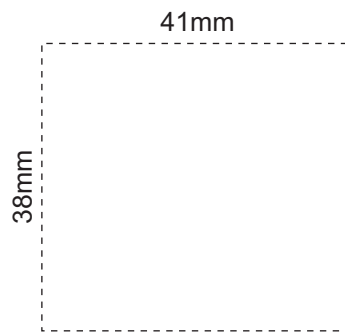
Natural Lip Balm Template



Visible Label Area

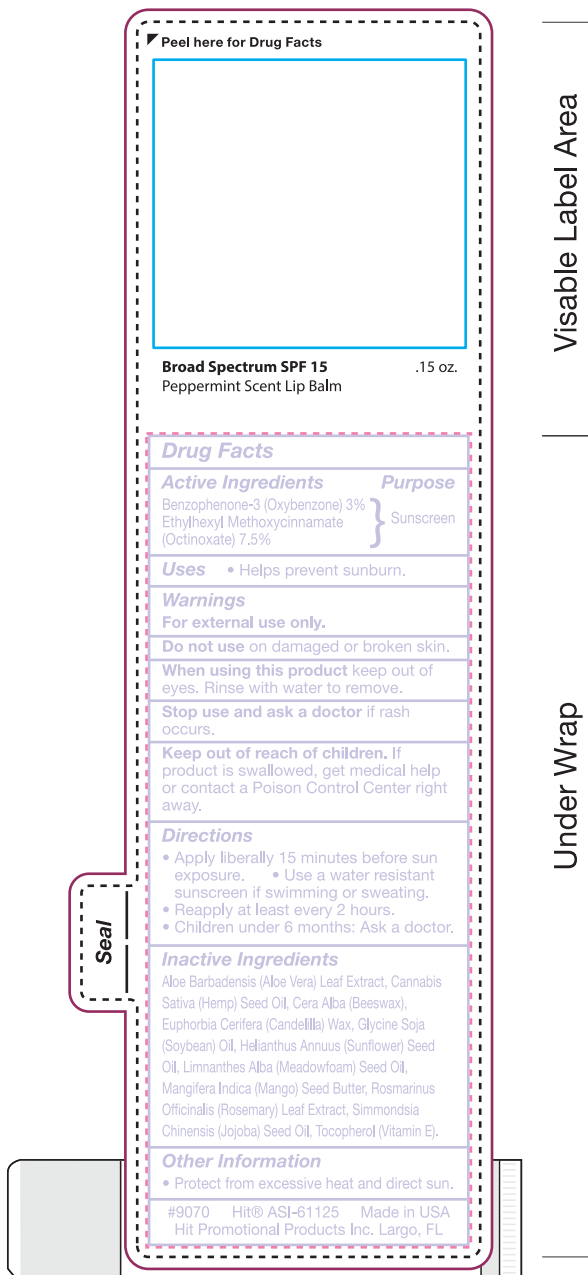
Under Wrap

Digital label area at 100%

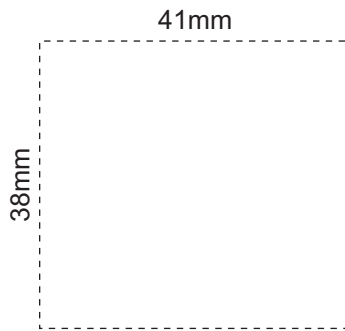


- Bleed line
- - - - - Label / Cut Line
- Live Imprint Area
- - - - - Pink line represents area designated as white

Peppermint Lip Balm Template

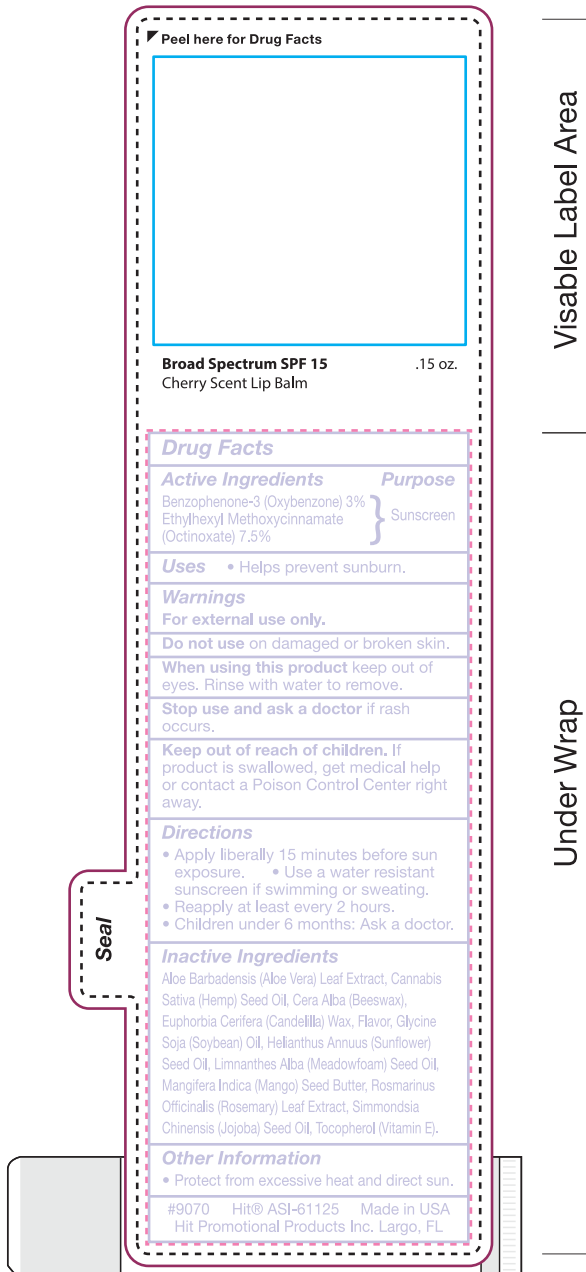


Digital label area at 100%

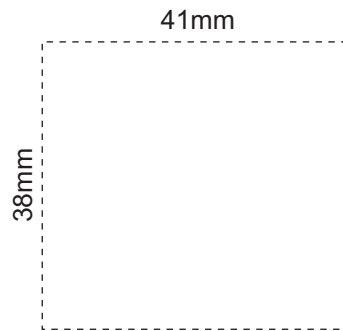


- Bleed line
- - - - - Label / Cut Line
- Live Imprint Area
- - - - - Pink line represents area designated as white

Cherry Lip Balm Template



Digital label area at 100%



Visible Label Area

Under Wrap

- Bleed line
- - - - - Label / Cut Line
- Live Imprint Area
- - - - - Pink line represents area designated as white

Tropical Lip Balm Template

Peel here for Drug Facts

Broad Spectrum SPF 15 .15 oz.
Tropical Scent Lip Balm

Drug Facts

| Active Ingredients | Purpose |
|--|-----------|
| Avobenzone (2%), Octinoxate (6.5%), Octisalate (5%), Octocrylene (1.5%). | Sunscreen |

Uses • Helps prevent sunburn.

Warnings
For external use only.

Do not use on damaged or broken skin.

When using this product keep out of eyes. Rinse with water to remove.

Stop use and ask a doctor if rash occurs.

Keep out of reach of children. If product is swallowed, get medical help or contact a Poison Control Center right away.

Directions

- Apply liberally 15 minutes before sun exposure. • Use a water resistant sunscreen if swimming or sweating.
- Reapply at least every 2 hours.
- Children under 6 months: Ask a doctor.

Inactive Ingredients
Sunflower Oil, Beeswax, Flavor, Tocopherol.

Other Information

- Protect from excessive heat and direct sun.

#9070 Hit® ASI-61125 Made in USA
Hit Promotional Products Inc. Largo, FL

Seal

Visible Label Area

Under Wrap

Digital label area at 100%
41mm
38mm

- Bleed line
- - - Label / Cut Line
- Live Imprint Area
- - - Pink line represents area designated as white

Spearmint Lip Balm Template

Peel here for Drug Facts

Broad Spectrum SPF 15 .15 oz.
Spearmint Scent Lip Balm

Drug Facts

| Active Ingredients | Purpose |
|--|-----------|
| Benzophenone-3 (Oxybenzone) 3% Ethylhexyl Methoxycinnamate (Octinoxate) 7.5% | Sunscreen |
| | |
| | |

Uses • Helps prevent sunburn.

Warnings
 For external use only.
 Do not use on damaged or broken skin.
 When using this product keep out of eyes. Rinse with water to remove.
 Stop use and ask a doctor if rash occurs.

Directions

- Apply liberally 15 minutes before sun exposure.
- Use a water resistant sunscreen if swimming or sweating.
- Reapply at least every 2 hours.
- Children under 6 months: Ask a doctor.

Inactive Ingredients
 Aloe Barbadensis (Aloe Vera) Leaf Extract, Cannabis Sativa (Hemp) Seed Oil, Cera Alba (Beeswax), Euphorbia Cerifera (Candelilla) Wax, Glycine Soja (Soybean) Oil, Helianthus Annuus (Sunflower) Seed Oil, Limnanthes Alba (Meadowfoam) Seed Oil, Mangifera Indica (Mango) Seed Butter, Rosmarinus Officinalis (Rosemary) Leaf Extract, Simmondsia Chinensis (Jojoba) Seed Oil, Tocopherol (Vitamin E).

Other Information
 • Protect from excessive heat and direct sun.

#9070 Hit® ASI-61125 Made in USA
 Hit Promotional Products Inc. Largo, FL

Seal

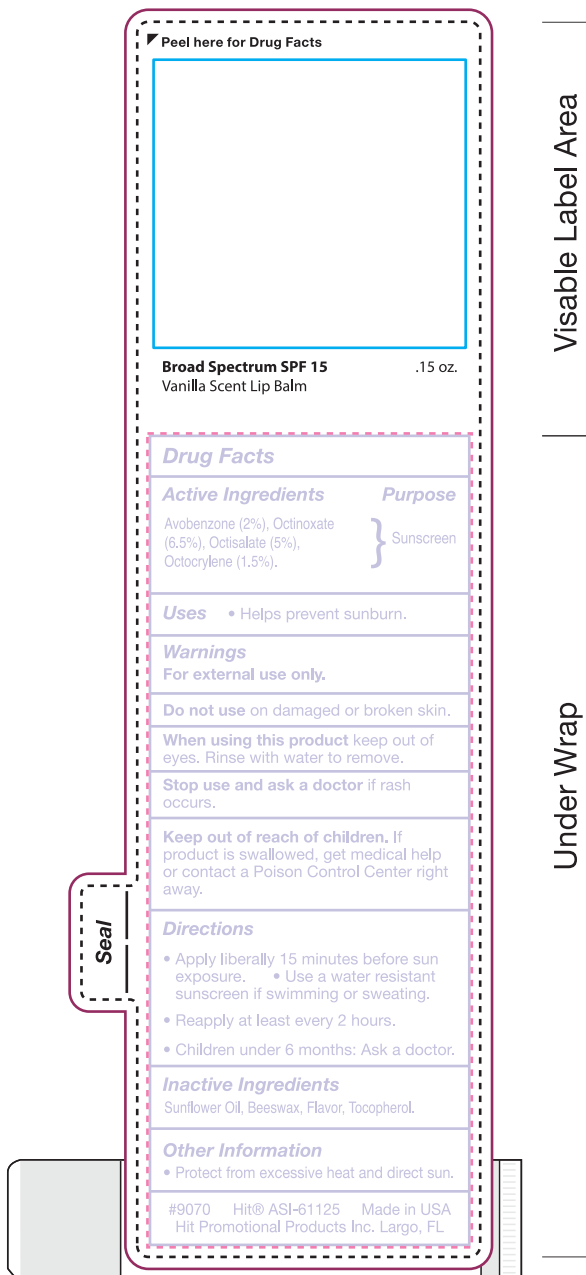
Visible Label Area

Under Wrap

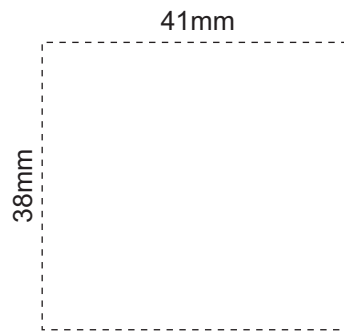
Digital label area at 100%
 41mm
 38mm

- Bleed line
- - - Label / Cut Line
- Live Imprint Area
- - - Pink line represents area designated as white

Vanilla Lip Balm Template



Digital label area at 100%



- Bleed line
- - - - - Label / Cut Line
- Live Imprint Area
- - - - - Pink line represents area designated as white